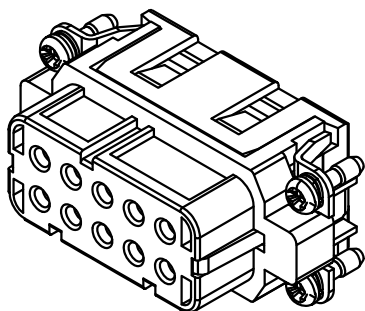


面板安装开孔图  
 Panel cut out



技术参数:

插芯:

- 插针数: 10+PE
  - 额定电流: 16A
  - 额定电压: 250V
  - 额定脉冲电压: 4kV
  - 污染等级: 3
  - 依据UL/CSA的额定电压: 600V
  - 绝缘阻抗:  $\geq 10^{10}\Omega$
  - 材料: 聚碳酸酯
  - 颜色: RAL 7032 (浅灰色)
  - 温度范围:  $-40^{\circ}\text{C} - +125^{\circ}\text{C}$
  - 依据UL 94的阻燃等级: V0
  - 可插拔次数:  $\geq 500$
- 插针:
- 接线方式: 冷压连接
  - 材料: 铜合金
  - 表面处理:
    - 镀银
    - 镀金
  - 接触电阻:  $< 1\text{m}\Omega$
  - 线径范围:  $0.14-4.0\text{mm}^2(26-12\text{ AWG})$
  - 工具:
    - 冷压钳: TL02G
    - 退针器: TL01

Technical specification:

Insters:

- No. of contact: 10+PE
  - Rated current: 16A
  - Rated voltage: 250V
  - Rated impulse voltage: 4kV
  - Pollution degree: 3
  - Rated voltage acc.to UL/CSA: 600V
  - Insulation resistance:  $\geq 10^{10}\Omega$
  - Material: polycarbonate
  - Colour: RAL 7032(light grey)
  - Temperature range:  $-40^{\circ}\text{C} - +125^{\circ}\text{C}$
  - Flammability acc.to UL 94: V0
  - Mating cycles:  $\geq 500$
- Contacts:
- Terminal: crimp terminal
  - Material: copper alloy
  - Surface:
    - hard-silver plated
    - hard-gold plated
  - Contact resistance:  $\leq 1\text{m}\Omega$
  - Wire gauge:  $0.14-4.0\text{mm}^2(26-12\text{ AWG})$
  - Tools:
    - Crimp contact tool: TL02G
    - Contact removal tool: TL01

|               |              |                  |            |                |                 |                |   |            |              |   |                  |               |
|---------------|--------------|------------------|------------|----------------|-----------------|----------------|---|------------|--------------|---|------------------|---------------|
|               |              |                  |            |                |                 | 表面处理<br>Finish | -   |            |              | 图号<br>Drawing No.                           | -                |               |
|               |              |                  |            |                |                 | 材料<br>Material | -   |            |              | 产品代号<br>Part Code                           | HA-010-FC        |               |
| 标记<br>Mark    | 处数<br>Number | 变更描述/Description |            |                | 签名<br>Signature | 日期<br>Date     | 比例<br>Scale                                   | 版本<br>REV. | 重量<br>Weight | 数量<br>Qty.                                  | 产品料号<br>Part No. | 1210100200001 |
| 绘图<br>Drawn   | BQ LUO       | 姓名/Name          | 日期/Date    | 姓名/Name        | 日期/Date         | 1:1            | V1.0  | 29.4g      | -            | 产品名称<br>Part Name                           | -                |               |
| 审核<br>Checked | P RAO        |                  | 18.10.2010 |                |                 |                |   |            |              |   |                  |               |
| 工艺<br>Process | -            |                  | -          | 批准<br>Approved | YY LIN          | 18.10.2010     | All Dimensions in mm<br>Original Size DIN A 4 |            |              | 厦门唯恩电气有限公司<br>XIAMEN WAIN ELECTRICAL CO.LTD |                  |               |