

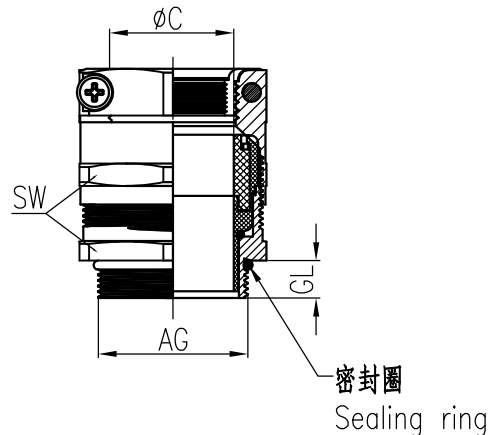
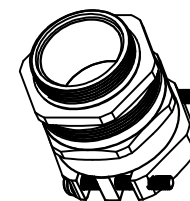
|         |                     |
|---------|---------------------|
| 日期/Date | 档案员<br>Filing Clerk |
|---------|---------------------|

M公制螺纹/Metric Thread

| 序号<br>No. | 产品名称<br>Part code | 产品料号<br>Part NO. | 螺纹规格AG<br>Thread size | 扳手尺寸SW<br>Wrench size | 卡口范围φC<br>Clamping range | 螺纹长度GL<br>Thread length | 重量/Weight<br>g |
|-----------|-------------------|------------------|-----------------------|-----------------------|--------------------------|-------------------------|----------------|
| 1         | WNKS-M16(4-8)     | 1021130131001    | M16*1.5               | 18                    | 4-8                      | 6.7                     | 23             |
| 2         | WNKS-M16(5-10)    | 1021130131002    | M16*1.5               | 22                    | 5-10                     | 6                       | 30             |
| 3         | WNKS-M20(6-12)    | 1021130151001    | M20*1.5               | 22                    | 6-12                     | 7.8                     | 44.2           |
| 4         | WNKS-M25(10-16)   | 1021130181002    | M25*1.5               | 27                    | 10-16                    | 7.7                     | 62             |
| 5         | WNKS-M25(13-18)   | 1021130181001    | M25*1.5               | 30                    | 13-18                    | 7.5                     | 80.8           |
| 6         | WNKS-M32(16-22)   | 1021130191002    | M32*1.5               | 35                    | 16-22                    | 8.5                     | 110.7          |
| 7         | WNKS-M32(18-25)   | 1021130191001    | M32*1.5               | 40                    | 18-25                    | 8                       | 158.3          |
| 8         | WNKS-M40(18-25)   | 1021130201501    | M40*1.5               | 45                    | 18-25                    | 12                      | 203            |
| 9         | WNKS-M40(22-30)   | 1021130201002    | M40*1.5               | 45                    | 22-30                    | 12                      | 194            |
| 10        | WNKS-M40(22-32)   | 1021130201001    | M40*1.5               | 50                    | 22-32                    | 12                      | 253.2          |
| 11        | WNKS-M50(30-38)   | 1021130461001    | M50*1.5               | 57                    | 30-38                    | 12                      | 325            |
| 12        | WNKS-M63(37-44)   | 1021130481001    | M63*1.5               | 65                    | 37-44                    | 12                      | 483.6          |

PG制螺纹/PG Thread

| 序号<br>No. | 产品名称<br>Part code | 产品料号<br>Part NO. | 螺纹规格AG<br>Thread size | 扳手尺寸SW<br>Wrench size | 卡口范围φC<br>Clamping range | 螺纹长度GL<br>Thread length | 重量/Weight<br>g |
|-----------|-------------------|------------------|-----------------------|-----------------------|--------------------------|-------------------------|----------------|
| 1         | WNKS-PG9(4-8)     | 1021130021001    | PG9                   | 17                    | 4-8                      | 6.7                     | 33             |
| 2         | WNKS-PG11(5-10)   | 1021130031001    | PG11                  | 22                    | 5-10                     | 7                       | 47.8           |
| 3         | WNKS-PG13.5(6-12) | 1021130041001    | PG13.5                | 22                    | 6-12                     | 7.8                     | 44.5           |
| 4         | WNKS-PG16(10-14)  | 1021130051001    | PG16                  | 24                    | 10-14                    | 7.3                     | 50.6           |
| 5         | WNKS-PG21(13-18)  | 1021130061001    | PG21                  | 30                    | 13-18                    | 8                       | 83.7           |
| 6         | WNKS-PG29(18-25)  | 1021130071001    | PG29                  | 40                    | 18-25                    | 9                       | 151.5          |
| 7         | WNKS-PG36(22-32)  | 1021130081001    | PG36                  | 50                    | 22-32                    | 12                      | 175            |
| 8         | WNKS-PG42(30-38)  | 1021130091001    | PG42                  | 57                    | 30-38                    | 12                      | 273            |



技术参数:

- 材料:

- 主体: 黄铜镀镍(外壳), 尼龙66(芯套)
- 密封元件: 丁腈橡胶

- 温度范围: -40℃-100℃, 短时间可以达到120℃

- 防护等级: IP68 (在使用O型圈的情况下)

Technical specification:

- Material:

- Body: nickel-plated brass(outside), Nylon(inside)
- Sealing: NBR

- Temperature range: -40℃-100℃, short-term 120℃

- Degree of protection: IP68(with O-sealing)

|               |              |                  |                |                 |                |   |            |   |            |                   |                  |
|---------------|--------------|------------------|----------------|-----------------|----------------|---|------------|---|------------|-------------------|------------------|
|               |              |                  |                |                 | 表面处理<br>Finish | -   |            |   |            | 图号<br>Drawing No. | -                |
|               |              |                  |                |                 | 材料<br>Material | -   |            |   |            | 产品代号<br>Part Code | WNKS-XX          |
| 标记<br>Mark    | 处数<br>Number | 变更描述/Description |                | 签名<br>Signature |                |   |            |   |            | 日期<br>Date        | 产品料号<br>Part No. |
|               | 姓名/Name      | 日期/Date          |                | 姓名/Name         | 日期/Date        | 比例<br>Scale                                   | 版本<br>REV. | 重量<br>Weight                                | 数量<br>Qty. | 产品名称<br>Part Name | -                |
| 绘图<br>Drawn   | BQ LUO       | 18.10.2010       | 标准化<br>Stand.  | -               | -              | 1:1   | V1.0       | -   | -          |                   |                  |
| 审核<br>Checked | P RAO        | 18.10.2010       |                |                 |                |   |            |   |            |                   |                  |
| 工艺<br>Process | -            | -                | 批准<br>Approved | YY LIN          | 18.10.2010     | All Dimensions in mm<br>Original Size DIN A 4 |            | 厦门唯恩电气有限公司<br>XIAMEN WAIN ELECTRICAL CO.LTD |            |                   |                  |