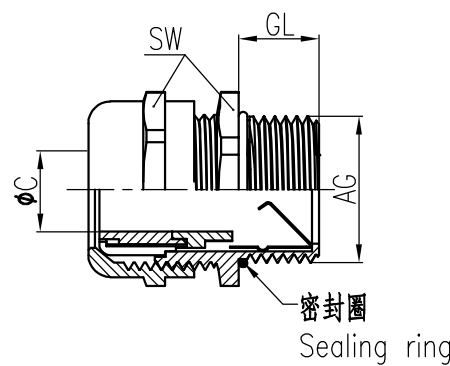
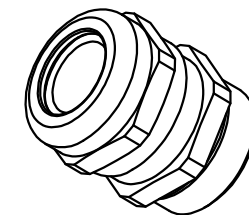


| M公制螺纹/Metric Thread |                  |               |                  |                    |                              |                        |                      |             |
|---------------------|------------------|---------------|------------------|--------------------|------------------------------|------------------------|----------------------|-------------|
| 序号 No.              | 产品名称 Part code   | 产品料号 Part No. | 螺纹规格 Thread size | 扳手尺寸SW Wrench size | 卡口范围 $\phi$ C Clamping range | 螺纹外径AG Thread diameter | 螺纹长度GL Thread length | 重量/Weight g |
| 1                   | WNAC-M12(D3-6)   | 1021170111502 | M12*1.5          | 14                 | 3-6                          | 12                     | 7                    | 11.4        |
| 2                   | WNAC-M12(D3-6.5) | 1021170111001 | M12*1.5          | 14                 | 3-6.5                        | 12                     | 5                    | 11.1        |
| 3                   | WNAC-M16(D4-8)   | 1021170131001 | M16*1.5          | 20                 | 4-8                          | 116                    | 6                    | 23          |
| 4                   | WNAC-M18(D5-10)  | 1021170141001 | M18*1.5          | 20                 | 5-10                         | 18                     | 6                    | 27          |
| 5                   | WNAC-M20(D6-12)  | 1021170151001 | M20*1.5          | 24                 | 6-12                         | 20                     | 7                    | 36.4        |
| 6                   | WNAC-M20(D10-14) | 1021170151002 | M20*1.5          | 24                 | 10-14                        | 20                     | 7                    | 34.4        |
| 7                   | WNAC-M24(D8-14)  | 1021170171001 | M24*1.5          | 27                 | 8-14                         | 24                     | 7                    | 45          |
| 8                   | WNAC-M25(D10-16) | 1021170181002 | M25*1.5          | 30                 | 10-16                        | 25                     | 12                   | 61.8        |
| 9                   | WNAC-M25(D13-18) | 1021170181001 | M25*1.5          | 30                 | 13-18                        | 25                     | 13                   | 60.5        |
| 10                  | WNAC-M30(D13-18) | 1021170381001 | M30*1.5          | 35                 | 13-18                        | 30                     | 8                    | 85          |
| 11                  | WNAC-M32(D15-22) | 1021170191002 | M32*1.5          | 40                 | 15-22                        | 32                     | 13                   | 110.4       |
| 12                  | WNAC-M32(D18-25) | 1021170191001 | M32*1.5          | 40                 | 18-25                        | 32                     | 13                   | 104         |
| 13                  | WNAC-M36(D18-25) | 1021170401001 | M36*1.5          | 40                 | 18-25                        | 36                     | 8                    | 150         |
| 14                  | WNAC-M40(D21-30) | 1021170201002 | M40*1.5          | 50                 | 21-30                        | 40                     | 9                    | 168         |
| 15                  | WNAC-M40(D22-32) | 1021170201001 | M40*1.5          | 50                 | 22-32                        | 40                     | 9                    | 147.6       |
| 16                  | WNAC-M48(D22-32) | 1021170451001 | M48*1.5          | 50                 | 22-32                        | 48                     | 9                    | 185         |
| 17                  | WNAC-M50(D30-38) | 1021170461001 | M50*1.5          | 57                 | 30-38                        | 50                     | 9                    | 210         |
| 18                  | WNAC-M56(D30-38) | 1021170471001 | M56*1.5          | 57                 | 30-38                        | 56                     | 9                    | 220         |
| 19                  | WNAC-M63(D37-44) | 1021170481001 | M63*1.5          | 65                 | 37-44                        | 63                     | 10                   | 239         |

| PG制螺纹/PG Thread |                    |               |                  |                    |                              |                        |                      |             |
|-----------------|--------------------|---------------|------------------|--------------------|------------------------------|------------------------|----------------------|-------------|
| 序号 No.          | 产品名称 Part code     | 产品料号 Part No. | 螺纹规格 Thread size | 扳手尺寸SW Wrench size | 卡口范围 $\phi$ C Clamping range | 螺纹外径AG Thread diameter | 螺纹长度GL Thread length | 重量/Weight g |
| 1               | WNAC-PG7(D3-6.5)   | 1021170011001 | PG7              | 14                 | 3-6.5                        | 12.5                   | 5                    | 13          |
| 2               | WNAC-PG9(D4-8)     | 1021170021001 | PG9              | 18                 | 4-8                          | 15.2                   | 6                    | 17          |
| 3               | WNAC-PG11(D5-10)   | 1021170031001 | PG11             | 20                 | 5-10                         | 18.6                   | 6                    | 25.2        |
| 4               | WNAC-PG13.5(D6-12) | 1021170041001 | PG13.5           | 24                 | 6-12                         | 20.4                   | 7                    | 36.2        |
| 5               | WNAC-PG16(D8-14)   | 1021170051001 | PG16             | 24                 | 8-14                         | 22.5                   | 7                    | 89.2        |
| 6               | WNAC-PG21(D13-18)  | 1021170061001 | PG21             | 30                 | 13-18                        | 28.3                   | 8                    | 66.8        |
| 7               | WNAC-PG29(D18-25)  | 1021170071001 | PG29             | 40                 | 18-25                        | 37                     | 8                    | 132         |
| 8               | WNAC-PG36(D22-32)  | 1021170081001 | PG36             | 50                 | 22-32                        | 47                     | 9                    | 204         |
| 9               | WNAC-PG42(D30-38)  | 1021170091001 | PG42             | 57                 | 30-38                        | 54                     | 9                    | 220         |



技术参数:

- 材料:

· 主体: 黄铜镀镍

· 密封元件: 尼龙66和丁腈橡胶

- 温度范围:  $-40^{\circ}\text{C}$ – $100^{\circ}\text{C}$ , 短时间可以达到 $120^{\circ}\text{C}$

- 防护等级: IP68 (在使用O型圈的情况下)

Technical specification:

- Material:

· Body: nickel-plated brass

· Sealing: nylon and NBR

- Temperature range:  $-40^{\circ}\text{C}$ – $100^{\circ}\text{C}$ , short-term  $120^{\circ}\text{C}$

- Degree of protection: IP68(with O-sealing)

|                |              |                  |            |                   |            |   |             |
|----------------|--------------|------------------|------------|-------------------|------------|---|-------------|
| 表面处理<br>Finish |              | -                |            | 图号<br>Drawing No. |            | -   |             |
| 材料<br>Material |              | -                |            | 产品代号<br>Part Code |            | WNAC-XX                                       |             |
| 标记<br>Mark     | 处数<br>Number | 变更描述/Description |            | 签名<br>Signature   | 日期<br>Date | 产品料号<br>Part No.                              |             |
| 绘图<br>Drawn    | BQ LUO       | 姓名/Name          | 日期/Date    | 姓名/Name           | 日期/Date    | 产品名称<br>Part Name                             |             |
| 审核<br>Checked  | P RAO        | 日期/Date          | 18.10.2010 | 姓名/Name           | 日期/Date    | -   |             |
| 工艺<br>Process  | -            | 日期/Date          | 18.10.2010 | 批准<br>Approved    | YY LIN     | 18.10.2010                                    | 比例<br>Scale |
|                |              |                  |            |                   |            | 版本<br>REV.                                    | V1.0        |
|                |              |                  |            |                   |            | 重量<br>Weight                                  | -           |
|                |              |                  |            |                   |            | 数量<br>Qty.                                    | -           |
|                |              |                  |            |                   |            | All Dimensions in mm<br>Original Size DIN A 4 |             |
|                |              |                  |            |                   |            | 厦门唯恩电气有限公司<br>XIAMEN WAIN ELECTRICAL CO.LTD   |             |