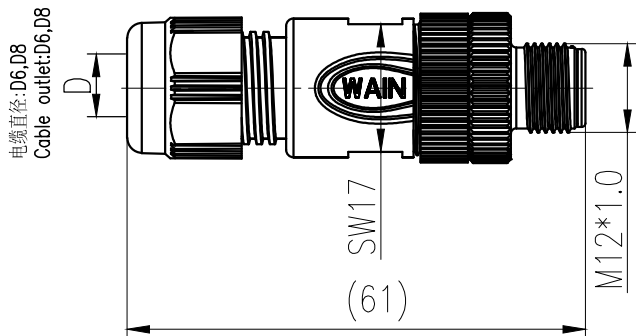
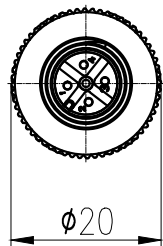


插针数 Contacts	料号 Order No.	产品代号 Part Code	电缆直径(D) Cable outlet	重量 Weight
4	1630044113101	M12P-M04A-T-D6	4-6mm	18.1g
	1630044113102	M12P-M04A-T-D8	6-8mm	17.9g
5	1630054113101	M12P-M05A-T-D6	4-6mm	19.9g
	1630054113102	M12P-M05A-T-D8	6-8mm	19.7g



技术参数:

- 产品系列: M12-A 编码
- 插针数: 4 5
- 额定电流(40°C): 4A 4A
- 额定电压: 250V 125V
- 额定脉冲电压: 2500V 1500V
- 污染等级: 3
- 接触电阻: ≤10mΩ
- 防护等级: IP67
- 插拔次数: >100
- 温度范围: -40°C...+85°C
- 绝缘阻抗: >100MΩ
- 接线方式: 螺钉锁紧
- 线径范围: max.0.75mm² (max.AWG18)
- 锁紧扭矩: 0.2Nm (螺钉接线)
- 电缆直径: 4-6mm,6-8mm
- 电缆剥线长度: 20mm
- 导线剥线长度: 5mm

Technical specification:

- Series: M12 A-Code
- Number of contacts: 4 5
- Rated current(40°C): 4A 4A
- Rated voltage: 250V 125V
- Rated impulse voltage: 2500V 1500V
- Pollution degree: 3
- Contact resistance: ≤10mΩ
- Degree of protectio: IP67
- Mating cycles: >100
- Temperature range: -40°C - +85°C
- Insulation resistance: ≥100MΩ
- Termination method: screw connection
- Wire gauge: max.0.75mm² (max.AWG18)
- Torque: 0.2Nm (screw terminal blocks)
- Cable Outlet: 4~6mm,6-8mm
- Stripping length of the sheath: 20mm
- Stripping length of the individual wire:5mm

材料特性:

- 锁紧螺帽: 塑料
- 插针材料: 铜合金
- 插针表面处理: 镀金
- 外壳材料: PA
- 颜色: RAL 9005 (黑色)
- 绝缘材料: PA

Material properties :

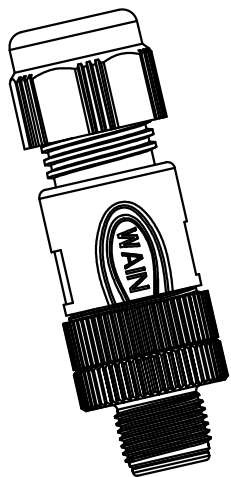
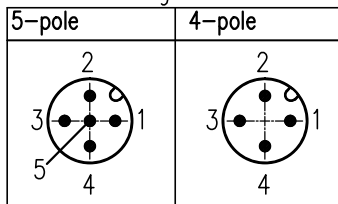
- Material of locking system: Plastic
- Material of contact: copper alloy
- Contact plating: Au
- Material of housing : PA
- Colour of housing: RAL 9005 (Black)
- Material of Insert: PA

符合标准: IEC 61076-2-101

Standards: IEC 61076-2-101

针位排布图

Contact arrangement



标记 Mark	处数 Number	变更描述/Description	签名 Signature	日期 Date	表面处理 Finish	-				图号 Drawing No.	-
					材料 Material	-				产品代号 Part Code	M12P-M0xA-T-Dx
					比例 Scale	版本 REV.	重量 Weight	数量 Qty.	产品料号 Part No.	-	
绘图 Drawn	ZM LIN	30.06.2015	标准化 Stand.	-	-	-	-	-	产品名称 Part Name	-	
审核 Checked	YY LUO	30.06.2015			1:1	V1.0	-	-			
工艺 Process	-	-	批准 Approved	YY LUO	30.06.2015	All Dimensions in mm Original Size DIN A 4				厦门唯恩电气有限公司 XIAMEN WAIN ELECTRICAL CO.LTD	