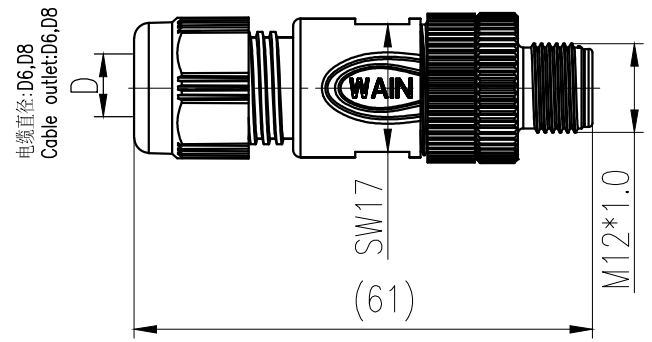
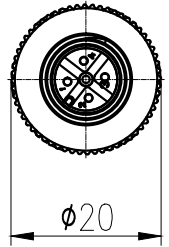


插针数 Contacts	料号 Order No.	产品代号 Part Code	电缆直径(D) Cable outlet	重量 Weight
3	1630034113001	M12-M03A-T-D6	4-6mm	23.8g
	1630034113002	M12-M03A-T-D8	6-8mm	23.6g
4	1630044113001	M12-M04A-T-D6	4-6mm	24.6g
	1630044113002	M12-M04A-T-D8	6-8mm	24.4g
5	1630054113001	M12-M05A-T-D6	4-6mm	26.4g
	1630054113002	M12-M05A-T-D8	6-8mm	26.2g

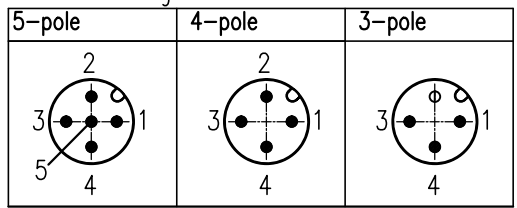


技术参数:

- 产品系列: M12-A 编码
- 插针数: 3 4 5
- 额定电流(40°C): 4A 4A 4A
- 额定电压: 250V 250V 125V
- 额定脉冲电压: 2500V 2500V 1500V
- 污染等级: 3
- 接触电阻: ≤10mΩ
- 防护等级: IP67
- 插拔次数: >100
- 温度范围: -40°C...+85°C
- 绝缘阻抗: >100MΩ
- 接线方式: 螺钉锁紧
- 线径范围: max.0.75mm² (max.AWG18)
- 锁紧扭矩: 0.2Nm (螺钉接线)
- 电缆直径: 4-6mm,6-8mm
- 电缆剥线长度: 20mm
- 导线剥线长度: 5mm

- Technical specification:
- Series: M12 A-Code
 - Number of contacts: 3 4 5
 - Rated current(40°C): 4A 4A 4A
 - Rated voltage: 250V 250V 125V
 - Rated impulse voltage: 2500V 2500V 1500V
 - Pollution degree: 3
 - Contact resistance: ≤10mΩ
 - Degree of protectio: IP67
 - Mating cycles: >100
 - Temperature range: -40°C - +85°C
 - Insulation resistance: ≥100MΩ
 - Termination method: screw connection
 - Wire gauge: max.0.75mm² (max.AWG18)
 - Torque: 0.2Nm (screw terminal blocks)
 - Cable Outlet: 4~6mm,6-8mm
 - Stripping length of the sheath: 20mm
 - Stripping length of the individual wire:5mm

针位排布图
 Contact arrangement



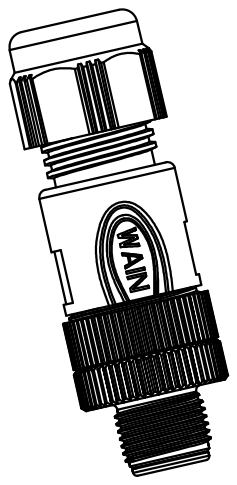
材料特性:

- 锁紧螺帽: 金属
- 插针材料: 铜合金
- 插针表面处理: 镀金
- 外壳材料: PA
- 颜色: RAL 9005 (黑色)
- 绝缘材料: PA

- Material properties:
- Material of locking system: Metal
 - Material of contact: copper alloy
 - Contact plating: Au
 - Material of housing: PA
 - Colour of housing: RAL 9005 (Black)
 - Material of Insert: PA

符合标准: IEC 61076-2-101

Standards: IEC 61076-2-101



标记 Mark	处数 Number	变更描述/Description	签名 Signature	日期 Date	表面处理 Finish	图号 Drawing No.				
					—	—				
					材料 Material	—				
					比例 Scale	版本 REV.	重量 Weight	数量 Qty.	产品代号 Part Code	M12-M0xA-T-Dx
绘图 Drawn	ZM LIN	17.09.2014	—	—	1:1	V1.0	—	—	产品料号 Part No.	—
审核 Checked	YY LUO	17.09.2014							产品名称 Part Name	—
工艺 Process	—	—	批准 Approved	YY LUO	17.09.2014	All Dimensions in mm Original Size DIN A 4				
						厦门唯恩电气有限公司 XIAMEN WAIN ELECTRICAL CO.LTD				