

技术参数:

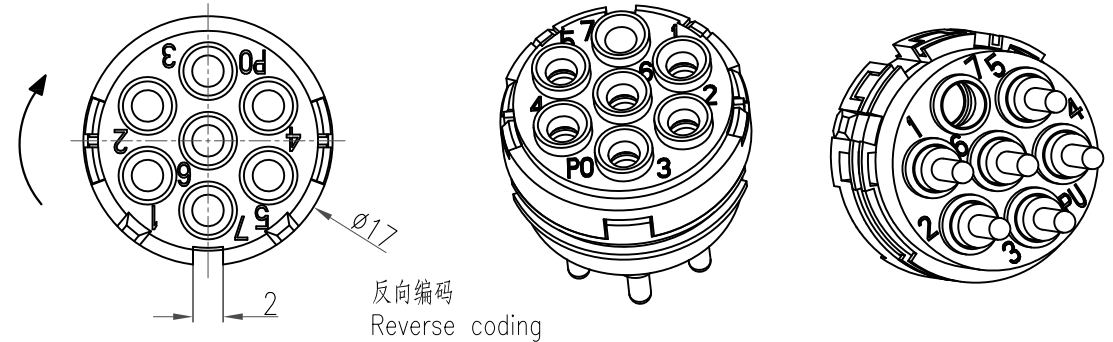
- 插针数: 6
- 额定电流  
 电力针: 15A
- 额定电压: 25V~/60V-
- 额定脉冲电压: 1.5KV
- 污染等级: 3
- 绝缘电阻:  $\geq 10^{12}\Omega$
- 温度范围:  $-40^{\circ}\text{C} \dots +115^{\circ}\text{C}$
- 阻燃等级: V0 (UL94)
- 接触电阻:  $\leq 5\text{m}\Omega$
- 插拔次数:  $\geq 100$
- 插体材料: PBT
- 插针材料: 铜合金
- 电镀材料: 金
- PCB插焊连接  
 - 电力针:  $\phi 1.5\text{mm}$

仅适用不封底下壳: HR23-BK-D2.7, HR23-BK/R-OD2.7  
 HR23-BK/R-OM2.5

Technical specification:

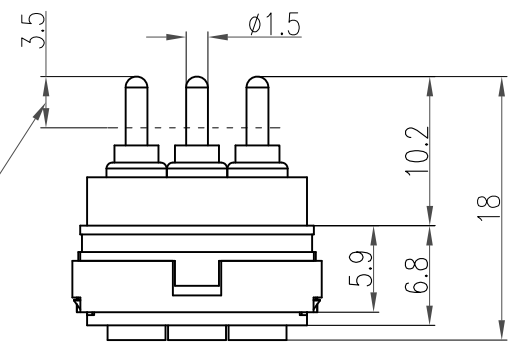
- Number of contacts: 6
- Rated current  
 power contact: 15A
- Rated voltage: 25V~/60V-
- Rated impulse voltage: 1.5KV
- Pollution degree: 3
- Insulation resistance:  $\geq 10^{12}\Omega$
- Temperature range:  $-40^{\circ}\text{C} \dots +115^{\circ}\text{C}$
- Flammability acc.to UL94: V0 (UL94)
- Contact resistance:  $\leq 5\text{m}\Omega$
- Mating cycles:  $\geq 100$
- Material of insert: PBT
- Material of contact: copper alloy
- Contact plating: Au
- PCB solder termination  
 - power contact:  $\phi 1.5\text{mm}$

Suitable only for bulkhead mounted housings: HR23-BK-D2.7, HR23-BK/R-OD2.7, HR23-BK/R-OM2.5

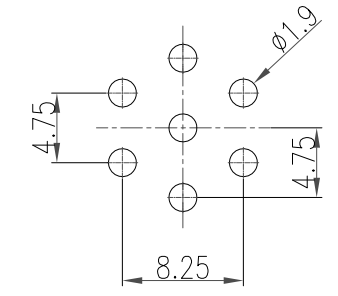


反向编码  
 Reverse coding

插针插接长度  
 reference to bulkhead  
 mounted housing



PCB孔细节  
 PCB layout



|               |              |                  |         |                |                 |   |             |            |              |   |                   |                |
|---------------|--------------|------------------|---------|----------------|-----------------|---|-------------|------------|--------------|---|-------------------|----------------|
|               |              |                  |         |                |                 | 表面处理<br>Finish                                | -           |            |              |   | 图号<br>Drawing No. | -              |
|               |              |                  |         |                |                 | 材料<br>Material                                | -           |            |              |   | 产品代号<br>Part Code | HR23-006R-FTHT |
| 标记<br>Mark    | 处数<br>Number | 变更描述/Description |         |                | 签名<br>Signature | 日期<br>Date                                    | 比例<br>Scale | 版本<br>REV. | 重量<br>Weight | 数量<br>Qty.                                  | 产品料号<br>Part No.  | 1810060240101  |
| 绘图<br>Drawn   | TC CHEN      | 姓名/Name          | 日期/Date | 标准化<br>Stand.  | -               | 日期/Date                                       | 2:1         | V1.0       | 4.9g         | -   | 产品名称<br>Part Name | -              |
| 审核<br>Checked | ZM LIN       | 姓名/Name          | 日期/Date |                |                 |   |             |            |              |   |                   |                |
| 工艺<br>Process | -            | 姓名/Name          | 日期/Date | 批准<br>Approved | YY LUO          | 日期/Date                                       |             |            |              |   |                   |                |
|               |              |                  |         |                |                 | All Dimensions in mm<br>Original Size DIN A 4 |             |            |              | 厦门唯恩电气有限公司<br>XIAMEN WAIN ELECTRICAL CO.LTD |                   |                |