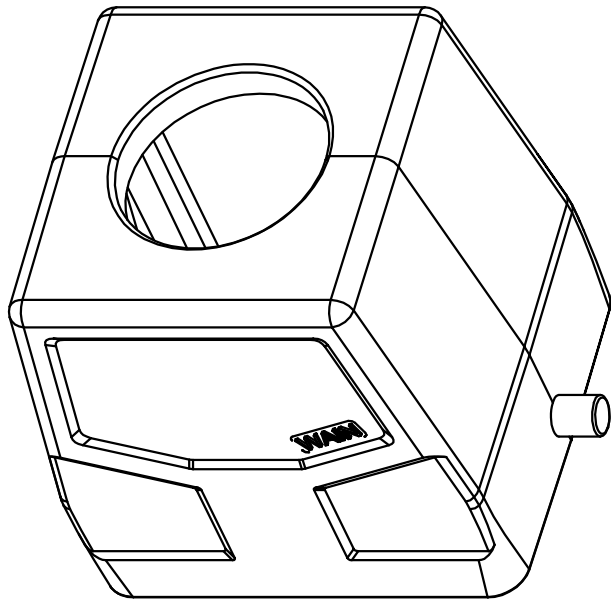


技术参数:

- 材料: 压铸铝
- 表面处理: 粉末喷涂
- 颜色: RAL 7037 (灰色)
- 温度范围: -40℃ - +125℃
- 防护等级: IP67 (联锁状态, IEC 60529)
- 出线方向: 顶出线
- 出线孔数: 1
- 螺纹规格: M50

Technical specification:

- Material: aluminium die-cast
- Surface: powder-coated
- Colour: RAL 7037(grey)
- Temperature range: -40℃ - +125℃
- Degree of protection: IP67  
(acc.to IEC 60529 for coupled connector)
- Cable entry: top entry
- No. of cable entries: 1
- Thread size: M50



|               |              |                  |                |                 |            |                |            |   |            |   |                |
|---------------|--------------|------------------|----------------|-----------------|------------|----------------|------------|---|------------|---|----------------|
|               |              |                  |                |                 |            | 表面处理<br>Finish | -          |   |            | 图号<br>Drawing No.                           | -              |
|               |              |                  |                |                 |            | 材料<br>Material | -          |   |            | 产品代号<br>Part Code                           | W32B-TE-2B-M50 |
| 标记<br>Mark    | 处数<br>Number | 变更描述/Description |                | 签名<br>Signature | 日期<br>Date |                |            |   |            | 产品料号<br>Part No.                            | 1111324101003  |
|               | 姓名/Name      | 日期/Date          |                | 姓名/Name         | 日期/Date    | 比例<br>Scale    | 版本<br>REV. | 重量<br>Weight                                  | 数量<br>Qty. | 产品名称<br>Part Name                           | -              |
| 绘图<br>Drawn   | SH YE        | 22.02.2017       | 标准化<br>Stand.  | -               | -          | 2:3            | V1.0       | -   | -          |   |                |
| 审核<br>Checked | P RAO        | 22.02.2017       |                |                 |            |                |            |   |            |   |                |
| 工艺<br>Process | -            | -                | 批准<br>Approved | YY LIN          | 22.02.2017 |                |            | All Dimensions in mm<br>Original Size DIN A 4 |            | 厦门唯恩电气有限公司<br>XIAMEN WAIN ELECTRICAL CO.LTD |                |