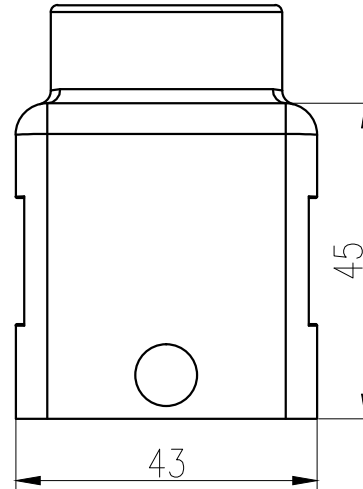
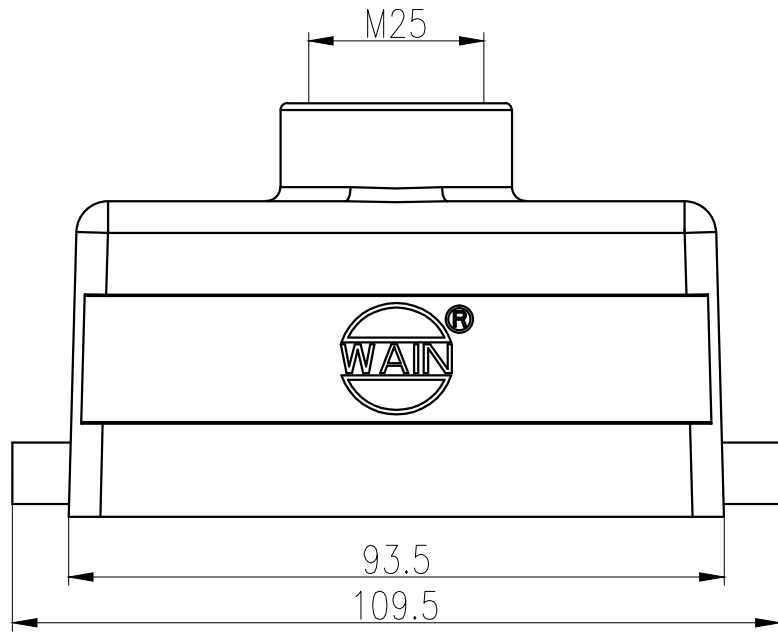


日期/Date  
 检查员  
 Filing Clerk

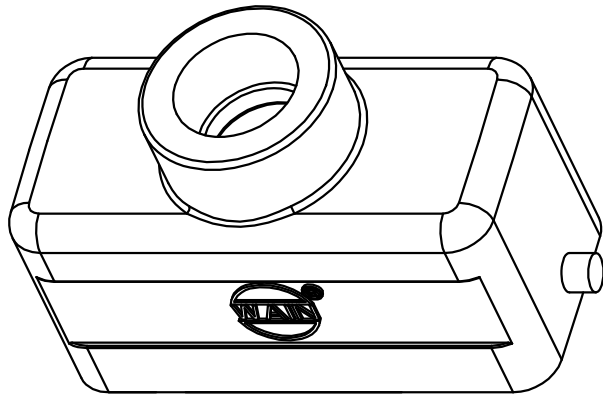


技术参数:

- 材料: 压铸铝
- 表面处理: 粉末喷涂
- 颜色: RAL 7037 (灰色)
- 温度范围: -40℃ - +125℃
- 防护等级: IP65 (联锁状态, IEC 60529)
- 出线方向: 顶出线
- 出线孔数: 1
- 螺纹规格: M25

Technical specification:

- Material: aluminium die-cast
- Surface: powder-coated
- Colour: RAL 7037(grey)
- Temperature range: -40℃ - +125℃
- Degree of protection: IP65  
(acc.to IEC 60529 for coupled connector)
- Cable entry: top entry
- No. of cable entries: 1
- Thread size: M25



|               |              |                  |                |         |                 |   |            |              |   |                   |                  |
|---------------|--------------|------------------|----------------|---------|-----------------|---|------------|--------------|---|-------------------|------------------|
|               |              |                  |                |         |                 | 表面处理<br>Finish                                | -          |              |   | 图号<br>Drawing No. | -                |
|               |              |                  |                |         |                 | 材料<br>Material                                | -          |              |   | 产品代号<br>Part Code | HV16B-TE-2B-M25  |
| 标记<br>Mark    | 处数<br>Number | 变更描述/Description |                |         | 签名<br>Signature |   | 日期<br>Date |              |   |                   | 产品料号<br>Part No. |
| 绘图<br>Drawn   | 姓名/Name      | 日期/Date          | 标准化<br>Stand.  | 姓名/Name | 日期/Date         | 比例<br>Scale                                   | 版本<br>REV. | 重量<br>Weight | 数量<br>Qty.                                  | 产品名称<br>Part Name | -                |
|               | SL CHEN      | 18.10.2010       |                |         |                 | -   | -          | 1:1          | V1.0  | 155g              | -                |
| 审核<br>Checked | P RAO        | 18.10.2010       |                |         |                 | All Dimensions in mm<br>Original Size DIN A 4 |            |              | 厦门唯恩电气有限公司<br>XIAMEN WAIN ELECTRICAL CO.LTD |                   |                  |
| 工艺<br>Process | -            | -                | 批准<br>Approved | YY LIN  | 18.10.2010      |   |            |              |   |                   |                  |