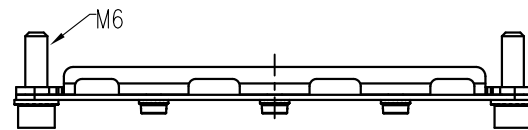
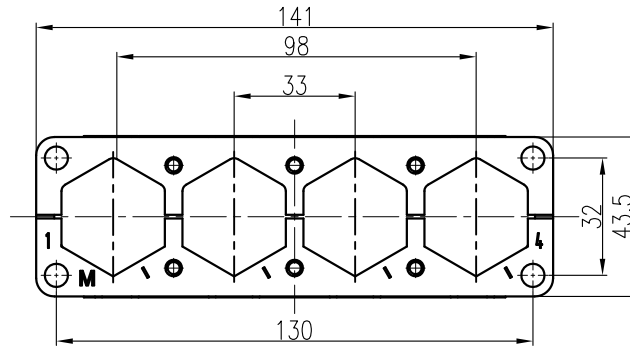
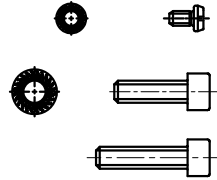


日期/Date  
 档案员  
 Filing Clerk

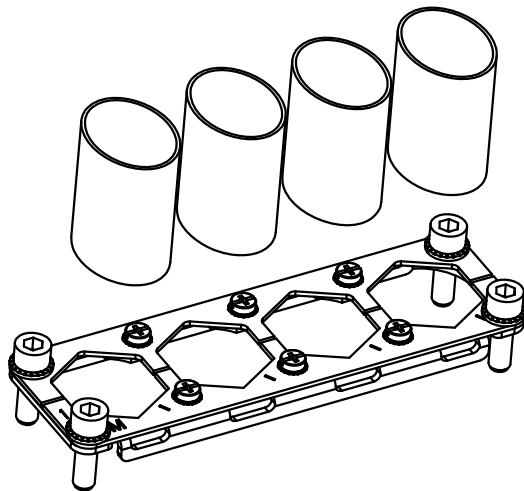


技术参数:

- 插芯数量: 4
- 拧紧力矩:
  - M4固定螺丝: 1.5N·m
  - M6固定螺丝: 10N·m
- 材料: 不锈钢

Technical specification:

- NO. of insters: 4
- Tightening torque:
  - The M4 fixing screws: 1.5N·m
  - The M6 fixing screws: 10N·m
- Material: stainless steel



|               |  |              |  |                  |  |                 |  |             |  |   |  |  |  |
|---------------|--|--------------|--|------------------|--|-----------------|--|-------------|--|---|--|--|--|
|               |  |              |  |                  |  | 表面处理<br>Finish  |  | -           |  | 图号<br>Drawing No.                             |  | -  |  |
|               |  |              |  |                  |  | 材料<br>Material  |  | -           |  | 产品代号<br>Part Code                             |  | HF24B-004C/E-M                               |  |
| 标记<br>Mark    |  | 处数<br>Number |  | 变更描述/Description |  | 签名<br>Signature |  | 日期<br>Date  |  | 产品料号<br>Part No.                              |  | 1310240001009                                |  |
| 姓名/Name       |  | 日期/Date      |  | 姓名/Name          |  | 日期/Date         |  | 比例<br>Scale |  | 版本<br>REV.                                    |  | 重量<br>Weight                                 |  |
| HZ LAN        |  | 18.10.2016   |  | -                |  | -               |  | 1:2         |  | V1.0  |  | 146.9g                                       |  |
| 审核<br>Checked |  | ZW WU        |  | 18.10.2016       |  |                 |  |             |  |   |  | 数量<br>Qty.                                   |  |
| 工艺<br>Process |  | -            |  | -                |  | 批准<br>Approved  |  | YY LUO      |  | 18.10.2016                                    |  | -  |  |
|               |  |              |  |                  |  |                 |  |             |  | All Dimensions in mm<br>Original Size DIN A 4 |  | 厦门唯恩电气有限公司<br>XIAMEN WAIN ELECTRICAL CO.,LTD |  |