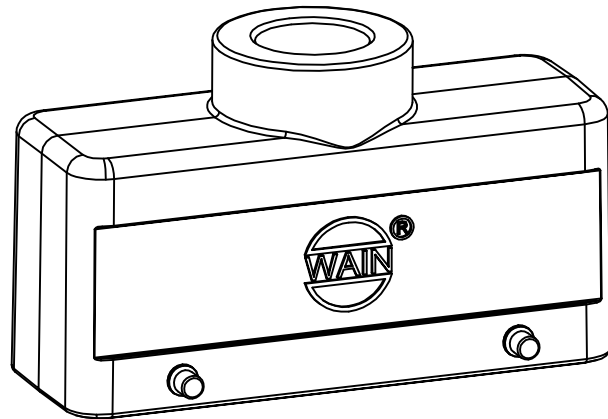


技术参数:

- 材料: 压铸铝
- 表面处理: 钝化
- 颜色: RAL 7037 (灰色)
- 温度范围:  $-40^{\circ}\text{C} - +125^{\circ}\text{C}$
- 防护等级: IP65
- 出线方向: 顶出线
- 出线孔数: 1
- 螺纹规格: PG21

Technical specification:

- Material: aluminium die-cast
- Surface: passivating treatment
- Colour: RAL 7037(grey)
- Temperature range:  $-40^{\circ}\text{C} - +125^{\circ}\text{C}$
- Degree of protection: IP65
- Cable entry: top entry
- No. of cable entries: 1
- Thread size: PG21



|               |              |                  |                |                 |            |                |             |                                               |              |                                             |                     |
|---------------|--------------|------------------|----------------|-----------------|------------|----------------|-------------|-----------------------------------------------|--------------|---------------------------------------------|---------------------|
|               |              |                  |                |                 |            | 表面处理<br>Finish | -           |                                               |              | 图号<br>Drawing No.                           | -                   |
|               |              |                  |                |                 |            | 材料<br>Material | -           |                                               |              | 产品代号<br>Part Code                           | EMC.H24B-TE-4B-PG21 |
| 标记<br>Mark    | 处数<br>Number | 变更描述/Description |                | 姓名<br>Signature | 日期<br>Date |                | 比例<br>Scale | 版本<br>REV.                                    | 重量<br>Weight | 数量<br>Qty.                                  | 产品料号<br>Part No.    |
| 姓名/Name       | 日期/Date      | 姓名/Name          | 日期/Date        | 比例              | 版本         | 重量             |             |                                               |              |                                             | 数量                  |
| 绘图<br>Drawn   | SL CHEN      | 18.10.2010       | 标准化<br>Stand.  | -               | -          | 2:3            | V1.0        | 215g                                          | -            | 厦门唯恩电气有限公司<br>XIAMEN WAIN ELECTRICAL CO.LTD |                     |
| 审核<br>Checked | P RAO        | 18.10.2010       |                |                 |            |                |             |                                               |              |                                             |                     |
| 工艺<br>Process | -            | -                | 批准<br>Approved | YY LIN          | 18.10.2010 |                |             | All Dimensions in mm<br>Original Size DIN A 4 |              |                                             |                     |