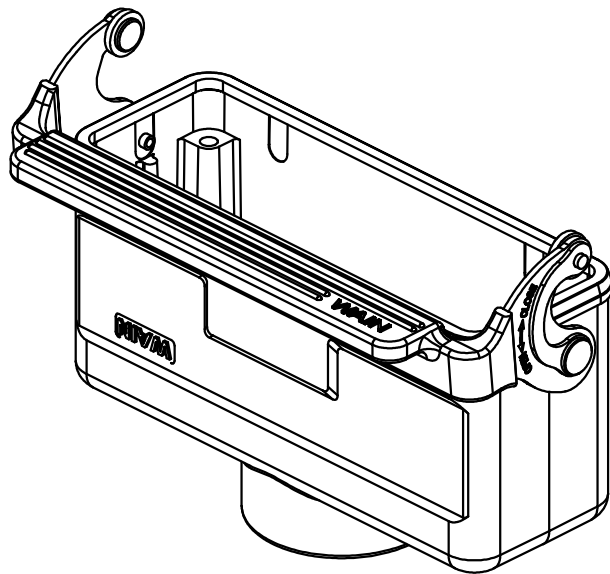
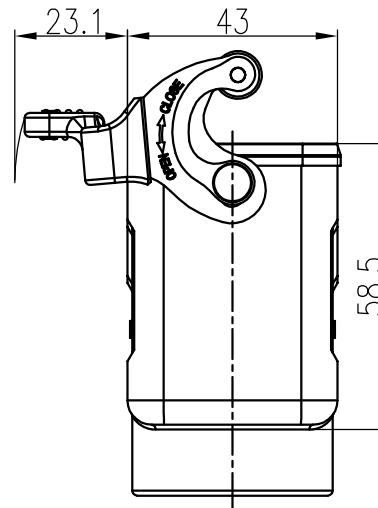
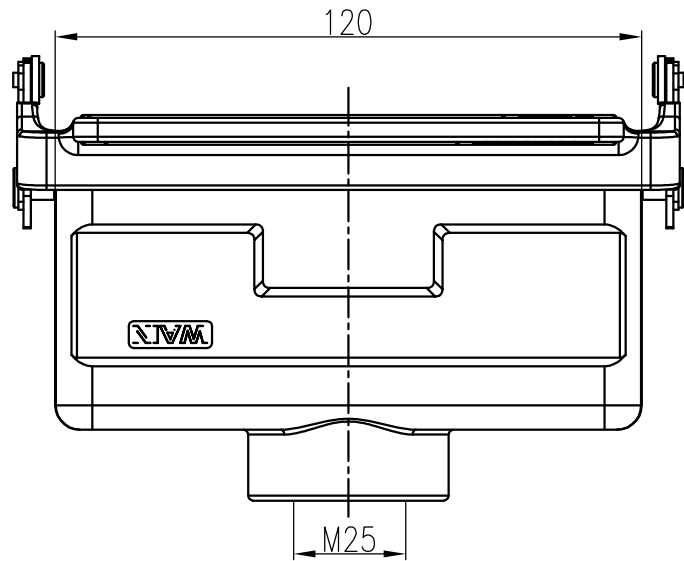


日期/Date

档案员  
Filing Clerk

## 技术参数:

- 材料: 压铸铝
- 表面处理: 粉末喷涂
- 颜色: RAL 7037 (灰色)
- 温度范围:  $-40^{\circ}\text{C}$  -  $+125^{\circ}\text{C}$
- 防护等级: IP67 (联锁状态, IEC 60529)
- 联锁元件:
  - 锁扣方式: 金属单扣
  - 材料: 不锈钢+软胶
- 密封元件: NBR
- 出线方向: 顶出线
- 出线孔数: 1
- 螺纹规格: M25

## Technical specification:

- Material: aluminium die-cast
- Surface: powder-coated
- Colour: RAL 7037(grey)
- Temperature range:  $-40^{\circ}\text{C}$  -  $+125^{\circ}\text{C}$
- Degree of protection: IP67  
(acc.to IEC 60529 for coupled connector)
- Locking element:
  - Locking type: single locking latch
  - material: stainless steel+TPR
- Hoods/Housings sealing: NBR
- Cable entry: top entry
- No. of cable entries: 1
- Thread size: M25

|               |              |                  |                |                 |            |                |            |   |                   |  |
|---------------|--------------|------------------|----------------|-----------------|------------|----------------|------------|---|-------------------|--|
|               |              |                  |                |                 |            | 表面处理<br>Finish | -          |   | 图号<br>Drawing No. | -  |
|               |              |                  |                |                 |            | 材料<br>Material | -          |   | 产品代号<br>Part Code | WV24B-CCT-1L/SC-M25                                |
| 标记<br>Mark    | 处数<br>Number | 变更描述/Description |                | 签名<br>Signature | 日期<br>Date |                |            |   | 产品料号<br>Part No.  | 1241247211001                                      |
|               | 姓名/Name      | 日期/Date          |                | 姓名/Name         | 日期/Date    | 比例<br>Scale    | 版本<br>REV. | 重量<br>Weight                                  | 数量<br>Qty.        | 产品名称<br>Part Name                                  |
| 绘图<br>Drawn   | SY JI        | 18.10.2017       | 标准化<br>Stand.  | -               | -          | 2:3            | V1.0       | -   | -                 | -  |
| 审核<br>Checked | HZ LAN       | 18.10.2017       |                |                 |            |                |            |   |                   |  |
| 工艺<br>Process | -            | -                | 批准<br>Approved | YY LUO          | 18.10.2017 |                |            | All Dimensions in mm<br>Original Size DIN A 4 |                   | <b>厦门唯恩电气有限公司</b><br>XIAMEN WAIN ELECTRICAL CO.LTD |