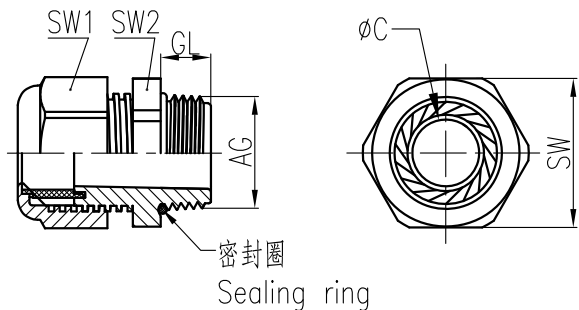
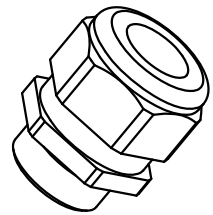


| M公制螺纹/Metric Thread |                   |                  |                     |                        |                        |                          |                           |                         |                |
|---------------------|-------------------|------------------|---------------------|------------------------|------------------------|--------------------------|---------------------------|-------------------------|----------------|
| 序号<br>No.           | 产品名称<br>Part code | 产品料号<br>Part No. | 螺纹规格<br>Thread size | 扳手尺寸SW1<br>Wrench size | 扳手尺寸SW2<br>Wrench size | 卡口范围ΦC<br>Clamping range | 螺纹外径AG<br>Thread diameter | 螺纹长度GL<br>Thread length | 重量/Weight<br>g |
| 1                   | WNAP-M12G(D3-6.5) | 1021080112001    | M12*1.5             | 15                     | 15                     | 3-6.5                    | 12                        | 8                       | 3.6            |
| 2                   | WNAP-M16G(D4-8)   | 1021080132001    | M16*1.5             | 19                     | 19                     | 4-8                      | 16                        | 8                       | 6.2            |
| 3                   | WNAP-M20G(D6-12)  | 1021080152001    | M20*1.5             | 24                     | 23.5                   | 6-12                     | 20                        | 10                      | 10             |
| 4                   | WNAP-M20G(D5-10)  | 1021080152003    | M20*1.5             | 24                     | 23.5                   | 5-10                     | 20                        | 10                      | 10.3           |
| 5                   | WNAP-M22G(D8-14)  | 1021080162001    | M22*1.5             | 27                     | 27                     | 8-14                     | 22                        | 10                      | 13             |
| 6                   | WNAP-M25G(D13-18) | 1021080182001    | M25*1.5             | 33                     | 32.5                   | 13-18                    | 25                        | 11                      | 19             |
| 7                   | WNAP-M32G(D18-25) | 1021080192001    | M32*1.5             | 42                     | 42                     | 18-25                    | 32                        | 11                      | 38             |
| 8                   | WNAP-M40G(D22-32) | 1021080202001    | M40*1.5             | 52                     | 51                     | 22-32                    | 40                        | 13                      | 65             |
| 9                   | WNAP-M50G(D31-38) | 1021080462001    | M50*1.5             | 60                     | 60                     | 31-38                    | 50                        | 13                      | 80             |
| 10                  | WNAP-M63G(D37-44) | 1021080482001    | M63*1.5             | 65                     | 67                     | 37-44                    | 63                        | 14                      | 102            |

| PG制螺纹/PG Thread |                     |                  |                     |                        |                        |                          |                           |                         |                |
|-----------------|---------------------|------------------|---------------------|------------------------|------------------------|--------------------------|---------------------------|-------------------------|----------------|
| 序号<br>No.       | 产品名称<br>Part code   | 产品料号<br>Part No. | 螺纹规格<br>Thread size | 扳手尺寸SW1<br>Wrench size | 扳手尺寸SW2<br>Wrench size | 卡口范围ΦC<br>Clamping range | 螺纹外径AG<br>Thread diameter | 螺纹长度GL<br>Thread length | 重量/Weight<br>g |
| 1               | WNAP-PG7G(D3-6.5)   | 1021080012001    | PG7                 | 15                     | 15                     | 3-6.5                    | 12.5                      | 8                       | 6.2            |
| 2               | WNAP-PG9G(D4-8)     | 1021080022001    | PG9                 | 19                     | 19                     | 4-8                      | 15.2                      | 8                       | 8              |
| 3               | WNAP-PG11G(D5-10)   | 1021080032001    | PG11                | 22                     | 22                     | 5-10                     | 18.6                      | 8                       | 12.8           |
| 4               | WNAP-PG13.5G(D6-12) | 1021080042001    | PG13.5              | 24                     | 24                     | 6-12                     | 20.4                      | 10                      | 20.5           |
| 5               | WNAP-PG16G(D8-14)   | 1021080052001    | PG16                | 27                     | 27                     | 8-14                     | 22.5                      | 10                      | 23             |
| 6               | WNAP-PG21G(D13-18)  | 1021080062001    | PG21                | 33                     | 33                     | 13-18                    | 28.3                      | 11                      | 24             |
| 7               | WNAP-PG29G(D18-25)  | 1021080072001    | PG29                | 42                     | 42                     | 18-25                    | 37                        | 11                      | 26             |
| 8               | WNAP-PG36G(D22-32)  | 1021080082001    | PG36                | 53                     | 52                     | 22-32                    | 47                        | 13                      | 69.3           |
| 9               | WNAP-PG42G(D32-38)  | 1021080092001    | PG42                | 59.5                   | 59.5                   | 32-38                    | 54                        | 15.2                    | 84.5           |
| 10              | WNAP-PG48G(D37-44)  | 1021080102001    | PG48                | 65                     | 65                     | 37-44                    | 59.3                      | 14                      | 93             |



技术参数:  
 - 材料:  
   · 主体: 尼龙  
   · 密封元件: 丁腈橡胶  
 - 温度范围: -40℃-100℃, 短时间可以达到120℃  
 - 防护等级: IP68 (在使用O型圈的情况下)

Technical specification:  
 - Material:  
   · Body: Nylon  
   · Sealing: NBR  
 - Temperature range: -40℃-100℃, short-term 120℃  
 - Degree of protection: IP68(with O-sealing)

|   |              |                  |                |          |   |          |         |         |  |  |
|---|--------------|------------------|----------------|----------|---|----------|---------|---------|--|--|
| 表面处理<br>Finish                                | -            |                  |                |          | 图号<br>Drawing No.                           | -        |         |         |  |  |
| 材料<br>Material                                | -            |                  |                |          | 产品代号<br>Part Code                           | WNAP-XXG |         |         |  |  |
|   | -            |                  |                |          | 产品料号<br>Part No.                            | -        |         |         |  |  |
| 比例<br>Scale                                   | 版本<br>REV.   | 重量<br>Weight     | 数量<br>Qty.     |          | 产品名称<br>Part Name                           | -        |         |         |  |  |
| 1:1   | V1.2         | -                | -              |          | 厦门唯恩电气有限公司<br>XIAMEN WAIN ELECTRICAL CO.LTD |          |         |         |  |  |
| All Dimensions in mm<br>Original Size DIN A 4 |              |                  |                |          |   |          |         |         |  |  |
| 标记<br>Mark                                    | 处数<br>Number | 变更描述/Description |                |          | 姓名/Name                                     | 日期/Date  | 姓名/Name | 日期/Date |  |  |
| 绘图<br>Drawn                                   | YL YE        | 25.02.2019       | 标准化<br>Stand.  | -        | -   | -        | -       |         |  |  |
| 审核<br>Checked                                 | HZ LAN       | 25.02.2019       |                |          |   |          |         |         |  |  |
| 工艺<br>Process                                 | -            | -                | 批准<br>Approved | HQ ZHANG | 25.02.2019                                  |          |         |         |  |  |