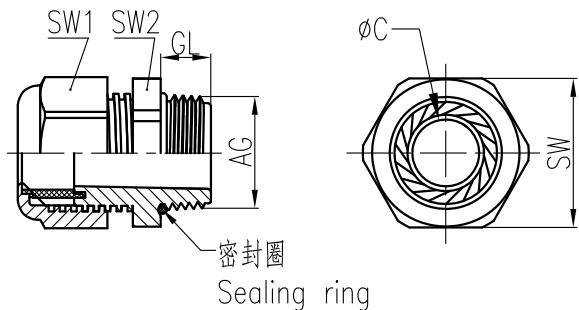
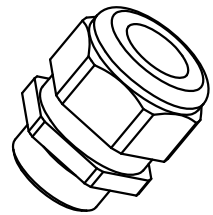


| M公制螺纹/Metric Thread | | | | | | | | | |
|---------------------|-------------------|------------------|---------------------|------------------------|------------------------|--------------------------|---------------------------|-------------------------|----------------|
| 序号 No. | 产品名称 Part code | 产品料号 Part No. | 螺纹规格 Thread size | 扳手尺寸SW1 Wrench size | 扳手尺寸SW2 Wrench size | 卡口范围ΦC Clamping range | 螺纹外径AG Thread diameter | 螺纹长度GL Thread length | 重量/Weight g |
| 1 | WNAP-M12G(D3-6.5) | 1021080112001 | M12*1.5 | 15 | 15 | 3-6.5 | 12 | 8 | 3.6 |
| 2 | WNAP-M16G(D4-8) | 1021080132001 | M16*1.5 | 19 | 19 | 4-8 | 16 | 8 | 6.2 |
| 3 | WNAP-M20G(D6-12) | 1021080152001 | M20*1.5 | 24 | 23.5 | 6-12 | 20 | 10 | 10 |
| 4 | WNAP-M20G(D5-10) | 1021080152003 | M20*1.5 | 24 | 23.5 | 5-10 | 20 | 10 | 10.3 |
| 5 | WNAP-M22G(D8-14) | 1021080162001 | M22*1.5 | 27 | 27 | 8-14 | 22 | 10 | 13 |
| 6 | WNAP-M25G(D13-18) | 1021080182001 | M25*1.5 | 33 | 32.5 | 13-18 | 25 | 11 | 19 |
| 7 | WNAP-M32G(D18-25) | 1021080192001 | M32*1.5 | 42 | 42 | 18-25 | 32 | 11 | 38 |
| 8 | WNAP-M40G(D22-32) | 1021080202001 | M40*1.5 | 52 | 51 | 22-32 | 40 | 13 | 65 |
| 9 | WNAP-M50G(D31-38) | 1021080462001 | M50*1.5 | 60 | 60 | 31-38 | 50 | 13 | 80 |
| 10 | WNAP-M63G(D37-44) | 1021080482001 | M63*1.5 | 65 | 67 | 37-44 | 63 | 14 | 102 |

| PG制螺纹/PG Thread | | | | | | | | | |
|-----------------|---------------------|------------------|---------------------|------------------------|------------------------|--------------------------|---------------------------|-------------------------|----------------|
| 序号 No. | 产品名称 Part code | 产品料号 Part No. | 螺纹规格 Thread size | 扳手尺寸SW1 Wrench size | 扳手尺寸SW2 Wrench size | 卡口范围ΦC Clamping range | 螺纹外径AG Thread diameter | 螺纹长度GL Thread length | 重量/Weight g |
| 1 | WNAP-PG7G(D3-6.5) | 1021080012001 | PG7 | 15 | 15 | 3-6.5 | 12.5 | 8 | 6.2 |
| 2 | WNAP-PG9G(D4-8) | 1021080022001 | PG9 | 19 | 19 | 4-8 | 15.2 | 8 | 8 |
| 3 | WNAP-PG11G(D5-10) | 1021080032001 | PG11 | 22 | 22 | 5-10 | 18.6 | 8 | 12.8 |
| 4 | WNAP-PG13.5G(D6-12) | 1021080042001 | PG13.5 | 24 | 24 | 6-12 | 20.4 | 10 | 20.5 |
| 5 | WNAP-PG16G(D8-14) | 1021080052001 | PG16 | 27 | 27 | 8-14 | 22.5 | 10 | 23 |
| 6 | WNAP-PG21G(D13-18) | 1021080062001 | PG21 | 33 | 33 | 13-18 | 28.3 | 11 | 24 |
| 7 | WNAP-PG29G(D18-25) | 1021080072001 | PG29 | 42 | 42 | 18-25 | 37 | 11 | 26 |
| 8 | WNAP-PG36G(D22-32) | 1021080082001 | PG36 | 53 | 52 | 22-32 | 47 | 13 | 69.3 |
| 9 | WNAP-PG42G(D32-38) | 1021080092001 | PG42 | 59.5 | 59.5 | 32-38 | 54 | 15.2 | 84.5 |
| 10 | WNAP-PG48G(D37-44) | 1021080102001 | PG48 | 65 | 65 | 37-44 | 59.3 | 14 | 93 |



技术参数:
 - 材料:
 · 主体: 尼龙
 · 密封元件: 丁腈橡胶
 - 温度范围: -40℃-100℃, 短时间可以达到120℃
 - 防护等级: IP68 (在使用O型圈的情况下)

Technical specification:
 - Material:
 · Body: Nylon
 · Sealing: NBR
 - Temperature range: -40℃-100℃, short-term 120℃
 - Degree of protection: IP68(with O-sealing)

| | | | | | | | | | | | | | |
|---------------|--|--------------|--|------------------|--|-----------------|--|---------------------|--|---|--|---|--|
| | | | | | | 表面处理 Finish | | - | | 图号 Drawing No. | | - | |
| | | | | | | 材料 Material | | - | | 产品代号 Part Code | | WNAP-XXG | |
| 标记 Mark | | 处数 Number | | 变更描述/Description | | 签名 Signature | | 日期 Date | | 产品料号 Part No. | | - | |
| 绘图 Drawn | | 姓名/Name | | 日期/Date | | 姓名/Name | | 日期/Date | | 比例 Scale | | 版本 REV. | |
| 审核 Checked | | YL YE | | 25.02.2019 | | - | | - | | 重量 Weight | | 数量 Qty. | |
| 工艺 Process | | - | | - | | 批准 Approved | | HQ ZHANG 25.02.2019 | | 1:1 | | V1.2 | |
| | | | | | | | | | | All Dimensions in mm Original Size DIN A 4 | | 厦门唯恩电气有限公司 XIAMEN WAIN ELECTRICAL CO.LTD | |