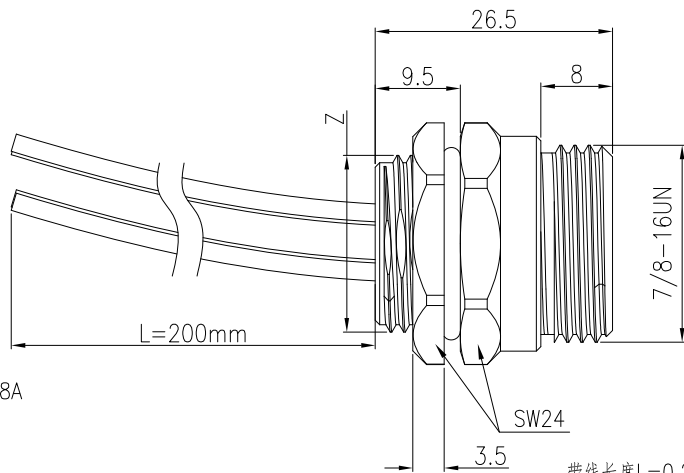
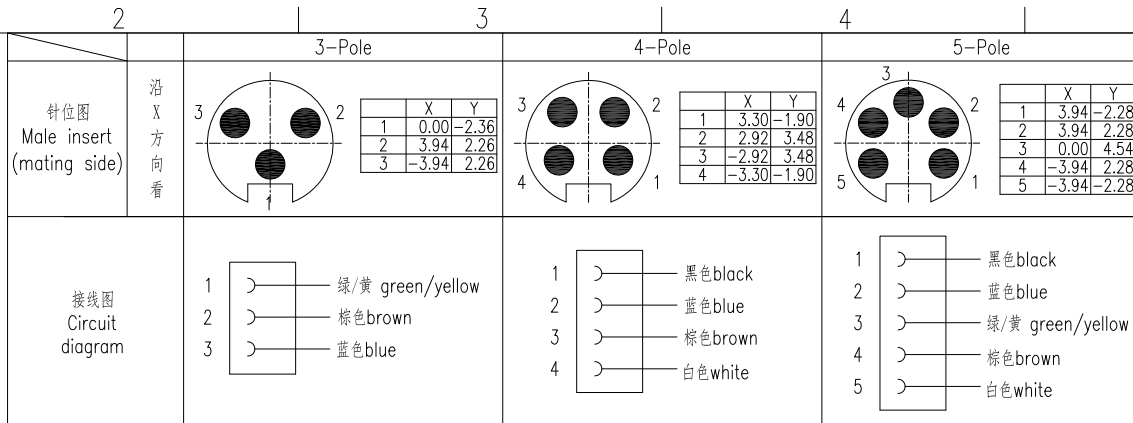


技术参数:

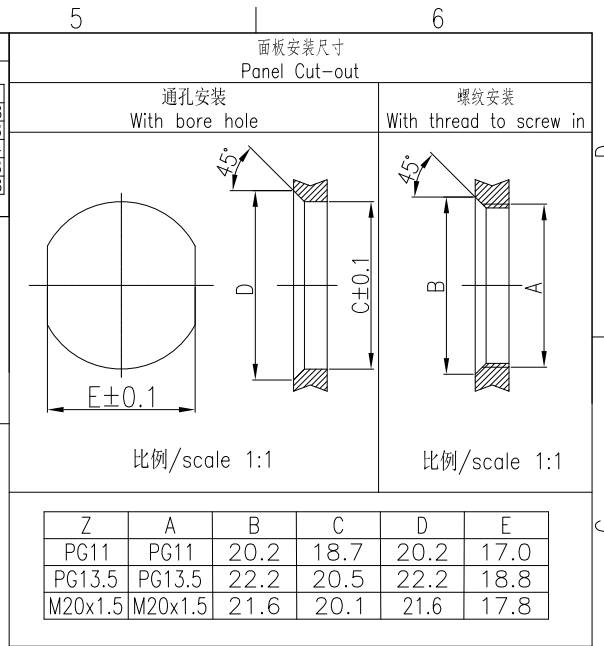
- 产品系列: 7/8
- 插针数: 3、4、5
- 额定电流(40°C): 10A、8A、8A
- 额定电压: 300V
- 额定脉冲电压: 2500V
- 污染等级: 3
- 接触电阻: ≤5mΩ
- 绝缘电阻: ≥100MΩ
- 锁紧方式: 螺纹7/8'-16UN锁紧
- 连接方式: 导线
- 线规: 最大1.5mm<sup>2</sup> (AWG16)
- 绝缘材料组别: II
- 防护等级: IP67
- 插拔次数: ≥100
- 温度范围: -25°C ... +85°C
- 外壳材料: 铜合金镀镍
- 插体材料: TPU
- 插针材料: 铜合金
- 插针电镀材料: 金

Technical specification:

- Series: 7/8
- Number of contacts: 3、4、5
- Rated current (40°C): 10A、8A、8A
- Rated voltage: 300V
- Rated impulse voltage: 2500V
- Pollution degree: 3
- Contact resistance: ≤5mΩ
- Insulation resistance: ≥100MΩ
- Connector locking system: screw 7/8'-16UN
- Terminal: wire
- wire gauge: max.1.5mm<sup>2</sup>(AWG16)
- Material group: II
- Degree of protection: IP67
- Mating cycles: ≥100
- Temperature range: -25°C ... +85°C
- Material of housing: Copper alloy nickel plated
- Material of insert: TPU
- Material of contact: copper alloy
- Contact plating: Au



带线长度L=0.2m, 如需其它长度在型号后+“-1.0”、“-2.0”  
Cable length L=0.2m, For other lengths please add “-1.0”、“-2.0” after the type



| 插针数<br>Contacts | 产品料号<br>Cable outlet | 型号<br>Part Code         | 重量<br>Weight | Z       |
|-----------------|----------------------|-------------------------|--------------|---------|
| 5               | 1680053014003        | 7/8-M05-BK-M20-W0.82    | 60.5 g       | M20x1.5 |
|                 | 1680053014002        | 7/8-M05-BK-PG13.5-W0.82 | 61 g         | PG13.5  |
|                 | 1680053014001        | 7/8-M05-BK-PG11-W0.82   | 60 g         | PG11    |
| 4               | 1680043014003        | 7/8-M04-BK-M20-W0.82    | 58 g         | M20x1.5 |
|                 | 1680043014002        | 7/8-M04-BK-PG13.5-W0.82 | 58.5 g       | PG13.5  |
|                 | 1680043014001        | 7/8-M04-BK-PG11-W0.82   | 57.5 g       | PG11    |
| 3               | 1680033014003        | 7/8-M03-BK-M20-W0.82    | 55.5 g       | M20x1.5 |
|                 | 1680033014002        | 7/8-M03-BK-PG13.5-W0.82 | 56 g         | PG13.5  |
|                 | 1680033014001        | 7/8-M03-BK-PG11-W0.82   | 55 g         | PG11    |

| 标记<br>Mark    | 处数<br>Number | 变更描述/Description | 签名<br>Signature | 日期<br>Date          |
|---------------|--------------|------------------|-----------------|---------------------|
| 绘图<br>Drawn   | TC CHEN      | 14.12.2023       | 标准化<br>Stand.   | -                   |
| 审核<br>Checked | ZQ XU        | 14.12.2023       | -               | -                   |
| 工艺<br>Process | -            | -                | 批准<br>Approved  | HQ ZHANG 14.12.2023 |

| 表面处理<br>Finish                                | 图号<br>Drawing No.   |
|---|---------------------|
| -   | -                   |
| 材料<br>Material                                | 产品代号<br>Part Code   |
| -   | 7/8-MXX-BK-XX-W0.82 |
| 比例<br>Scale                                   | 产品料号<br>Part No.    |
| 1:1   | -                   |
| 版本<br>REV.                                    | 产品名称<br>Part Name   |
| V1.1  | -                   |
| 重量<br>Weight                                  | 数量<br>Qty.          |
| -   | -                   |
| All Dimensions in mm<br>Original Size DIN A 4 |                     |
| 厦门唯恩电气有限公司<br>XIAMEN WAIN ELECTRICAL CO.LTD   |                     |